

🕒 Z1400-BZ "LEVEL-TROL" ADJUSTABLE LEVELING FLOOR CLEANOUT

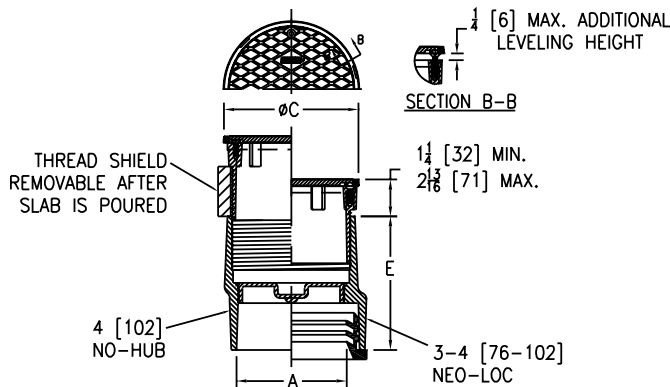


PATENTED

ENGINEERING SPECIFICATION

Zurn Z1400-BZ level-trol adjustable leveling floor cleanout features Dura-Coated cast iron body, gas and watertight ABS tapered thread plug, and round scoriated secured light-duty top (specify finish ZB, ZN, ZS) with additional leveling adjustment to finished floor.

A Pipe Size/ Outlet Type	Dimensions in inches [mm]		Approximate Weight lb [kg]
	C	E Body Height Dimensions	
No-Hub (NH)			
4NH	5-1/32 [128]	4-3/4 [121]	10 [5]
Neo-Loc (NL)			
3NL	5-1/32 [128]	4-3/4 [121]	11 [5]
4NL			12 [5]



PREFIXES	DESCRIPTION	A PIPE SIZE	LIST PRICE
ZB1400-BZ	D.C.C.I. with Polished Bronze Top	3"	604.00
		4"	821.00
ZN1400-BZ	D.C.C.I. with Polished Nickel Bronze Top	3"	660.00
		4"	883.00
ZS1400-BZ	D.C.C.I. with Polished Type 304 (CF8) Stainless Steel Top	3"	POA
		4"	POA

OUTLET (SPECIFY PIPE SIZE IN INCHES AND TYPE OF OUTLET)				
TYPE	DESCRIPTION	PIPE SIZE/OUTLET TYPE	E BODY HT. DIM.	ADD
NH	No-Hub	4NH	See Chart	N/C
NL	Neo-Loc	3NL, 4NL	See Chart	N/C

SUFFIXES			ADD
-AR	Acid Resisting Epoxy Coated Finish		351.00
-BP	Bronze Plug	3", 4"	194.00
-CM	Carpet Marker		80.00
-G	Galvanized Cast Iron		223.00
-K	Anchor Flange		N/C
-KC	Anchor Flange with Clamping Collar		107.00
🕒 -PC	Protective Cover		64.00
-SM	Special Marking Stamped on Top		194.00
🕒 -TC	Neo-Loc Test Cap Gasket (3"-4" NL Bottom Outlet Only)		24.00
-VP	Vandal-Proof Screws		72.00

BEST SELLERS		LIST PRICE
ZN1400BZ-4NL-TC		907.00
ZN1400BZ-4NL-VP		955.00

Supplied By:

877-903-7246
www.commercialplumbingsupply.com